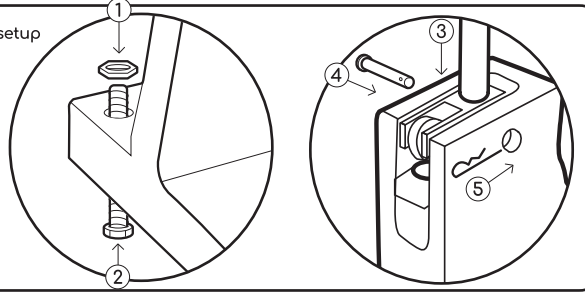

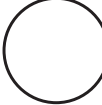


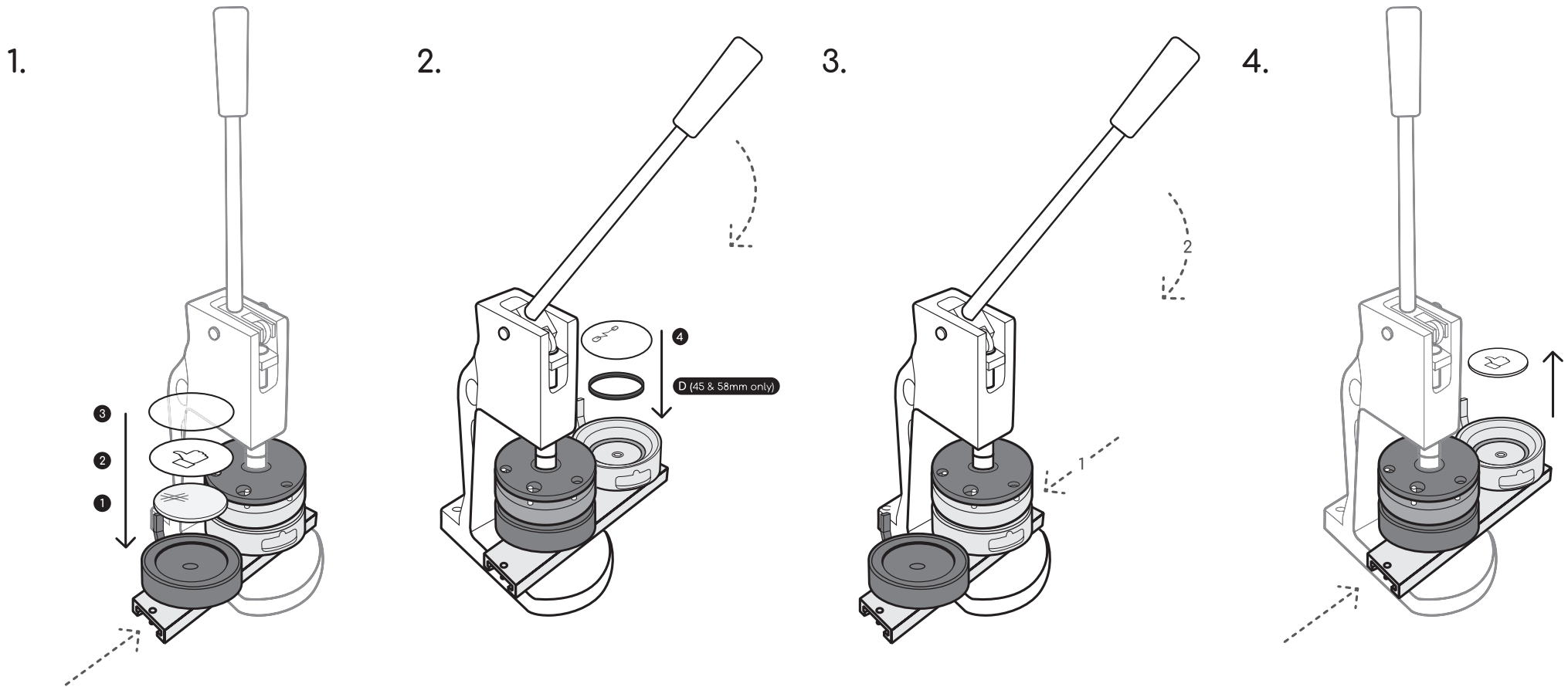


*B 45mm and 58mm sizes require metal spacer in all products except keyrings.

Quick setup



	1 Metal badge front		3 Clear plastic disc
	2 Badge artwork		4 Badge back



www.e-badges.net/make-badge-video